



MIXO modular units for 9-pole crimp D-SUB connector

the modular inserts must be installed in suitable frames which are then mounted in traditional housings * or COB panel support

frames for modular units * CX...T/TF/TM

* enclosures: housings or high construction hoods

- characteristics according to EN 61984:

5A 50V 0,8kV 3

- certifications: (UL), (CSA), (CCC); the certifications shown in brackets are being applied for

- for crimp 5A contacts CI series using:

CIPZ D crimping tool

CIVTP D turret head

CIVES insertion / removal tool

housing for 1 D-SUB connector



NEW

5A crimp contacts for D-SUB, gold plated



description

seat for 1 D-SUB connector and shield (included)

- female insert with connector

- male insert with connector

5A female crimp contacts

0.08-0.13 mm² AWG 28-26

0.20-0.52 mm² AWG 24-20

5A male crimp contacts

0.08-0.13 mm² AWG 28-26

0.20-0.52 mm² AWG 24-20

part No.

CX 01 9VF
CX 01 9VM

part No.

CIVFD 0.1
CIVFD 0.5

CIVMD 0.1
CIVMD 0.5

gold plated

we recommend the use of CRF CX / CRM CX code pins

Required material:

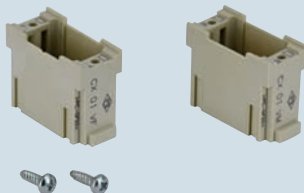
- Seat for 1 D-SUB connector (without connector and shield):

CX 01 VM (for male connector)

CX 01 VF (for female connector)

Can also be used with 15-pole D-SUB Hi-Density connectors.

For further information, please contact I.L.M.E. SpA.



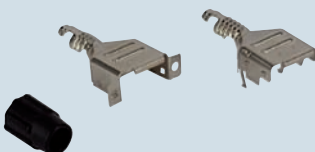
- Special version with cable contacts section 0.32-0.82 mm² AWG 22-18

CIVFD 0.8 female

CIVMD 0.8 male



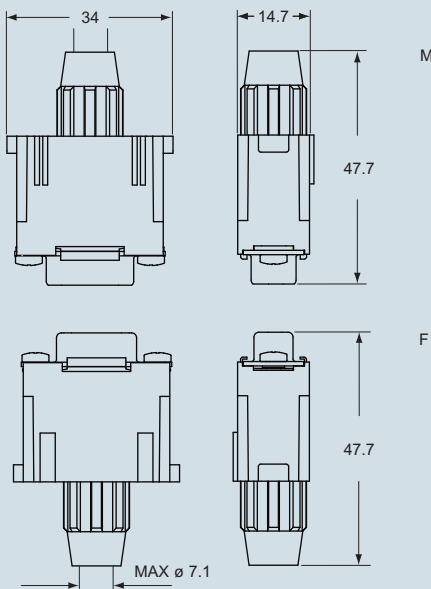
- CR CX VS shield for CX 01 VM/VF inserts



dimensions shown are not binding and may be changed without notice

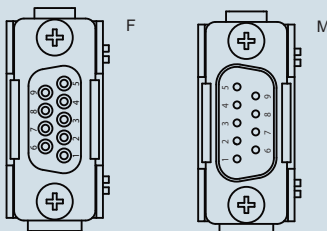
dimensions in mm

CX 01 9VF, CX 01 9VM



contacts side (front view)

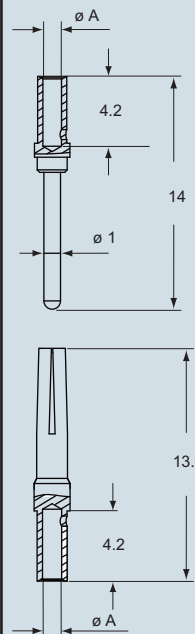
side with reference arrow ▲



- footprint 2 modules

dimensions in mm

CIVF and CIVM

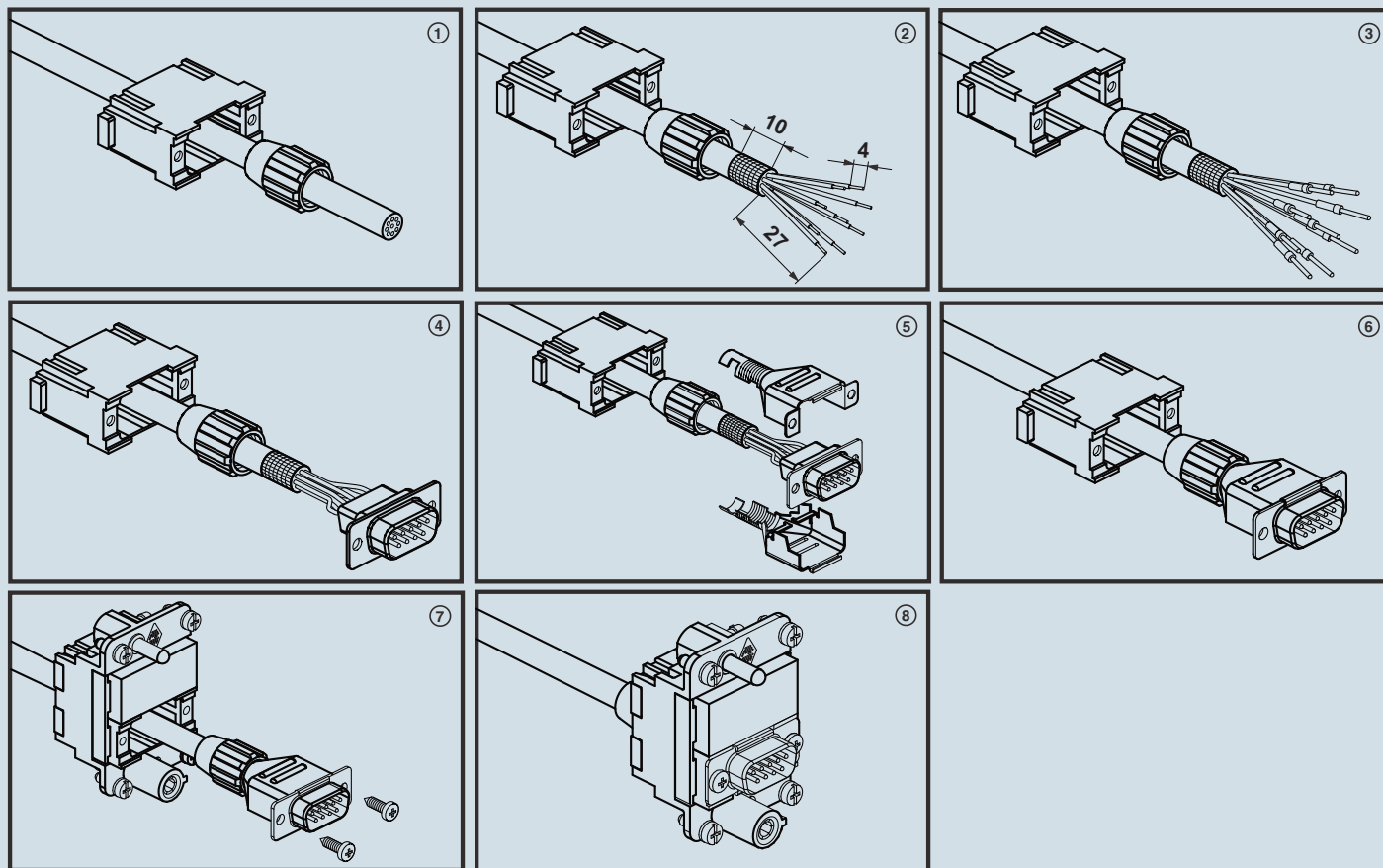


CIVF and CIVM contacts

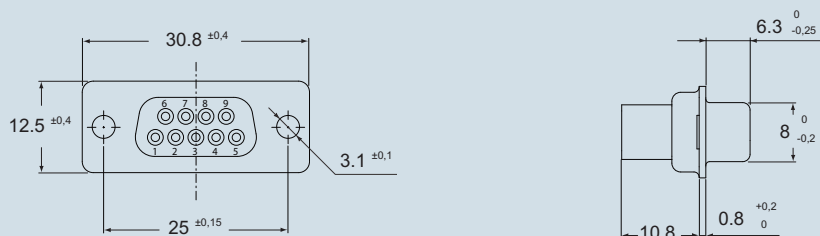
conductor section mm ²	conductor slot ø A (mm)	conductors stripping length (mm)
0.08+0.13	0.63	4
0.20+0.52	1.14	4



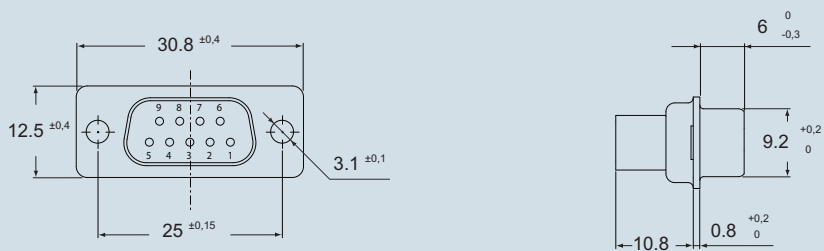
MIXO modular units for 9-pole crimp D-SUB connector



9-pole female CRIMP D-SUB connector (can be used with CX 01 VF)



9-pole male CRIMP D-SUB connector (can be used with CX 01 VM)



dimensions in mm